



GENERAL OXO SPECIFICATION : OCXO0300

	Option 1	Option 2
Frequency Range *1	: 10.000 000 to 20.000 000 MHz.	
Frequency Stability *1	(other options available on request).	
with Temperature (Maximum)	: ± 50.0 ppb, ± 20.0 ppb, ± 10.0 ppb, ± 5.0 ppb.	
0.0 to + 55.0 °C	: ± 50.0 ppb, ± 20.0 ppb, ± 10.0 ppb, ± 5.0 ppb.	
- 10.0 to + 60.0 °C	: ± 50.0 ppb, ± 20.0 ppb, ± 10.0 ppb, ± 5.0 ppb.	
- 20.0 to + 70.0 °C	: ± 50.0 ppb, ± 20.0 ppb, ± 10.0 ppb, ± 5.0 ppb.	
- 40.0 to + 70.0 °C	: ± 50.0 ppb, ± 20.0 ppb, ± 10.0 ppb.	
with Supply Voltage (± 5.0 % change) (Maximum)	: ± 2.0 ppb.	: ± 0.5 ppb.
with Load (± 10.0 % change) (Maximum)	: ± 2.0 ppb.	: ± 0.5 ppb.
with Ageing (after 30 days continuous operation) (Maximum) (other options available on request).		
Per Second (Allan Deviation) (for 10.0 MHz)	: ± 0.05 ppb.	
For Frequency (MHz)	: 10.000	: 12.800
Per Day	: ± 0.3 ppb	: ± 0.5 ppb
Per Year	: ± 30.0 ppb	: ± 50.0 ppb
Calibration (at + 25.0 °C) (Maximum)	: ± 100.0 ppb.	: ± 100.0 ppb
3 Minutes after switch on	: ± 100.0 ppb.	: ± 200.0 ppb
Frequency Adjustment (over voltage control range applied to Pin 5)		
Frequency Range (Electrical) (Minimum)	: ± 500.0 ppb (other options available on request).	
Voltage Control Range	: + 0.0 to + 5.0 V.	
Reference Voltage Output (± 2.0 %)	: + 5.0 V.	
Slope	: Monotonic and Positive, increasing control voltage increases output frequency.	
Linearity (Maximum)	: 10.0 %.	
Temperature Range *1		
Operating	: See Frequency Stability.	
Storage	: - 55 to + 85 °C.	
Supply Voltage (± 5.0 %)	: + 12.0 V.	
Supply Current (at + 25.0 °C) (Maximum)	: 270.0 mA.	
During first 3 minutes after switch on		
Output Characteristics		
Waveform	: Sinewave.	
Output Level (Minimum)	: 400.0 mV.	
Load (± 10.0 %)	: 50 Ω.	
Alarm Function (Pin 2)		
Set Point (Maximum)	: ± 2.0 ppm.	
Off	: 2.4 to 3.6 V.	
On	: 0.0 to 0.4 V.	
Oscillator Output On / Off Function (Pin 6)		
Off (Output only disabled)	: 0.0 to 0.4 V.	
On	: 2.4 to 12.5 V.	
Input Resistance (Minimum)	: 100.0 kΩ.	
Package Style	: 25.40 x 22.00 x (12.50 or 14.00) mm.	
Marking		
Line 1	: PDI	
Line 2	: Frequency	
Line 3	: Spec. code	



GENERAL OCXO SPECIFICATION : OCXO0300



	Option 1	Option 2
Phase Noise (for 10.0 MHz) (dBc / Hz) (Typical)		
at 1.0 Hz. :	- 90.0	- 100.0
at 10.0 Hz. :	- 120.0	- 130.0
at 100.0 Hz. :	- 140.0	- 145.0
at 1.0 kHz. :	- 150.0	- 150.0
at 10.0 kHz. :	- 150.0	- 150.0

Mechanical

Vibration	
Frequency Range	: 5 ~ 150 Hz.
Acceleration	: 10.0 g.
Shock	
Acceleration	: 100.0 g.
Duration (± 1.0 ms)	: 3.0.

Notes

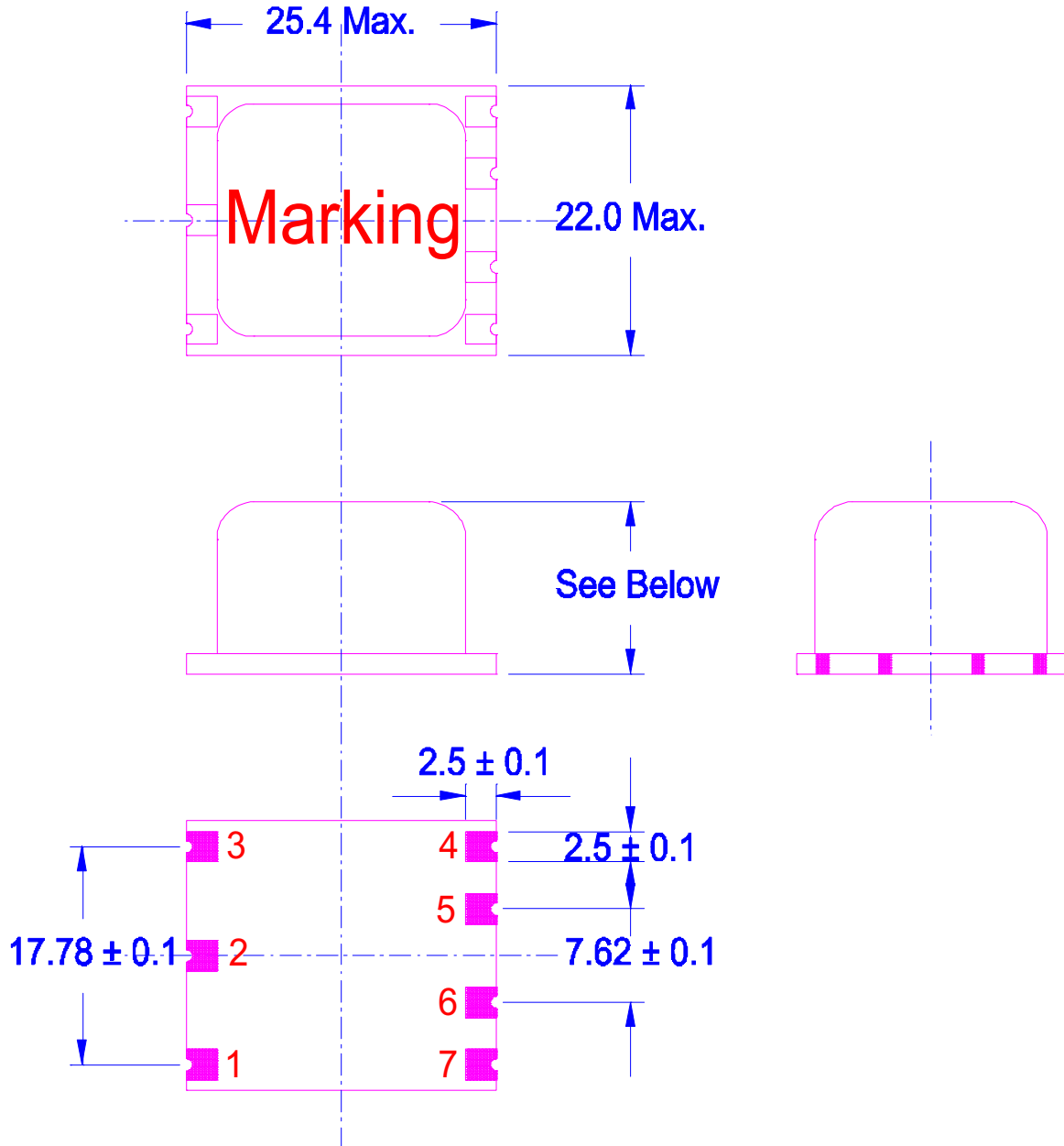
- *1 Not all Frequency / Temperature / Stability / Aging combinations are available.
- Terminals to be Au.
- All tests are performed in Still Air test conditions, unless otherwise stated.
- All product supplied in anti-static packaging.
- All product is supplied RoHS compliant.
- Specifications subject to change without notice.



**GENERAL OCXO
SPECIFICATION : OCXO0300**



Package Drawing



Package Height

12.50 or 14.00 mm. Stated at time of ordering.

All Dimensions and Tolerances are in mm

Pin Connections

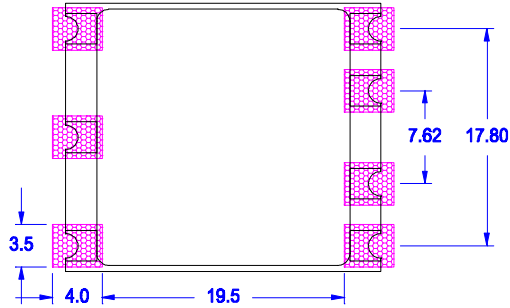
- 1 Output
- 2 Oven Alarm
- 3 Ground / Case
- 4 Reference Voltage
- 5 Voltage Control
- 6 Output On / Off
- 7 Supply Voltage



GENERAL OCXO SPECIFICATION : OCXO0300



Solder Pattern (Reference purposes only)



It is recommended that a 10 nF bypass capacitor should be placed between the Supply and Ground Pins to minimise power supply line noise.

Reflow Solder Profile

