



## GENERAL CRYSTAL SPECIFICATION : L6

**Frequency Range** : 3.579 545 to 66.999 999 MHz ( See table 1, below ).  
**Operating Mode** : See table 1, below, AT-Cut.

**Frequency Tolerances**  
Calibration at + 25.0 °C ( Maximum ) : ± 10.0 ppm, ± 25.0 ppm, ± 50.0 ppm.  
Over Temperature Range ( Maximum ) : ± 10.0 ppm, ± 25.0 ppm, ± 50.0 ppm.  
Aging ( Maximum per year at + 25.0 °C ) : ± 3.0 ppm ( ± 5.0 ppm for first year ).

**Temperature Range**  
Operating : - 20 to + 70 °C ( - 40 to + 85 °C, option ).  
Storage : - 40 to + 85 °C ( - 55 to + 125 °C option ).

Frequency Range MHz	Operating Mode	Load Capacitance ( CL )	ESR Ω ( Maximum )	Shunt Capacitance ( C0 ) pF ( Maximum )	Drive Level μW ( Typical )	Insulation Resistance
3.579 545 to 3.999 999	Fundamental	32.0 pF to Series	200	7.0	100	500 MΩ Minimum at 100 V <sub>DC</sub>
4.000 000 to 4.999 999			150			
5.000 000 to 5.999 999			120			
6.000 000 to 9.999 999			100			
10.000 000 to 13.999 999			80			
14.000 000 to 39.999 999			50			
40.000 000 to 66.999 999	3 <sup>rd</sup> Overtone		80			

Table 1 - Frequency Range vs Operating Mode vs Motional Parameters.

**Package Style** : 13.00 x 5.00 x 5.00 mm.

**Marking**  
See mechanical drawing.

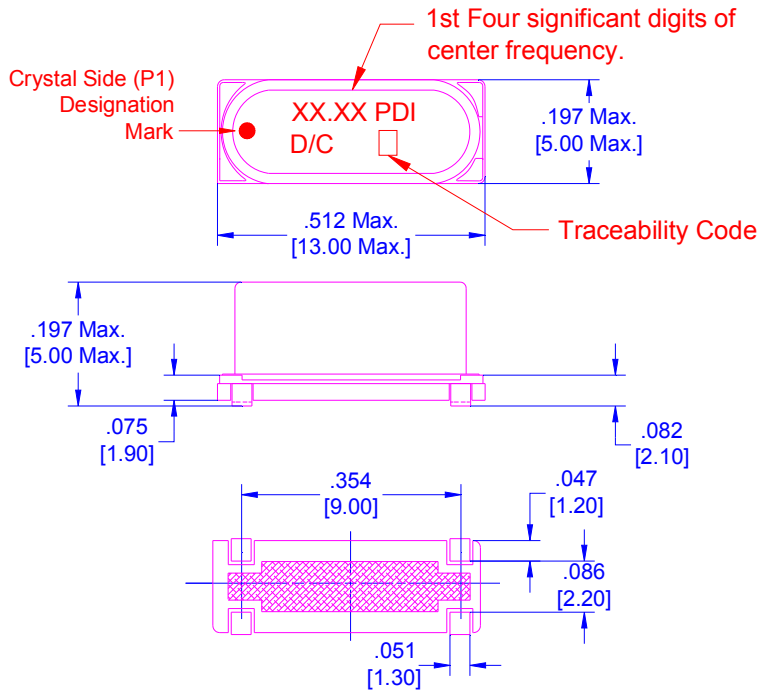
**Notes**  
Terminals are Au.  
Other options are available, please consult factory.  
All product is supplied RoHS and REACH compliant.  
Product can be supplied on Tape and Reel, on reels of 1,000 units.  
Not all Frequency / Temperature combinations are available.  
Specifications subject to change without notice, last updated 16<sup>th</sup> May 2011.



# GENERAL CRYSTAL SPECIFICATION : L6



## Package Drawing

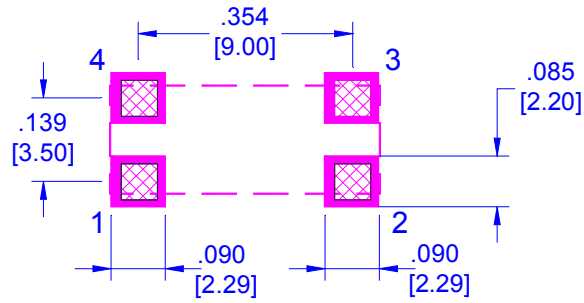




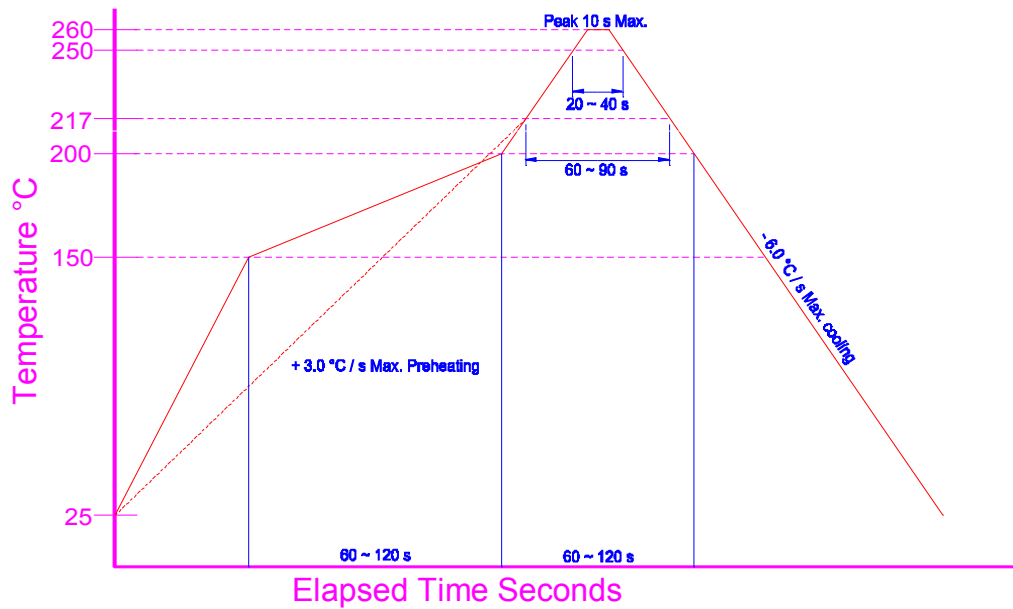
# GENERAL CRYSTAL SPECIFICATION : L6



Solder Pattern ( Reference purposes only )



## Reflow Solder Profile

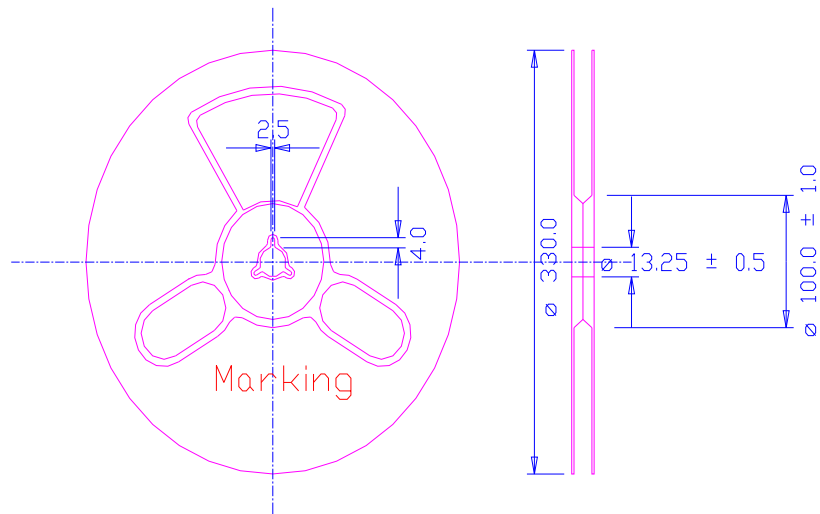
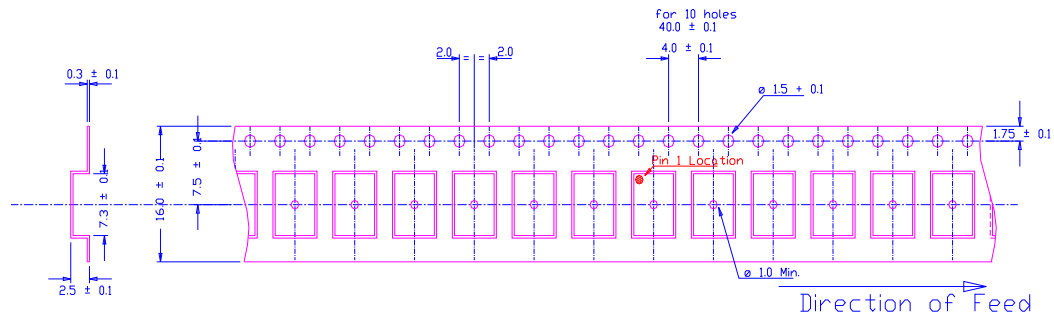




# GENERAL CRYSTAL SPECIFICATION : L6



## Tape & Reel Dimensions



There may be small variations in pocket size and material thickness from reel to reel.

### Empty Pockets

- Trailing end ( Minimum ) : 200 mm.
- Leading end ( Minimum ) : 400 mm.