

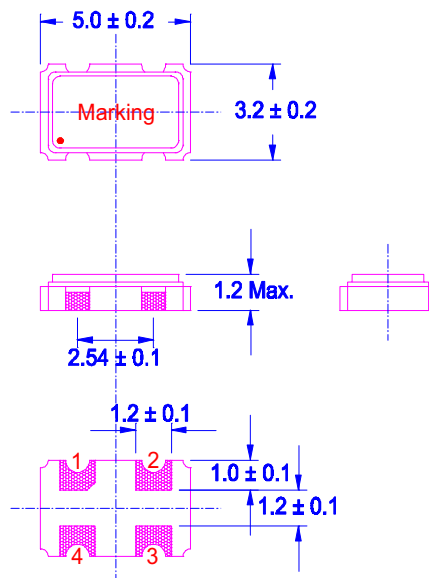


GENERAL OSCILLATOR SPECIFICATION - SSOC5



Frequency Range	: 6.000 000 to 160.000 000 MHz.
Frequency Stability	
All Causes (Maximum)	: ± 25.0 ppm, ± 50.0 ppm, ± 100.0 ppm.
Ageing (Maximum for first year @ 25 ± 3 °C)	: ± 5.0 ppm.
Temperature Range	
Operating	: 0 to + 70 °C (- 40 to + 85 °C option).
Storage	: - 55 to + 125 °C.
Supply Voltage (± 5.0 %)	: + 3.3 V.
Supply Current (Maximum)	
1.000 000 to 14.999 999 MHz	: 7.0 mA.
15.000 000 to 49.999 999 MHz	: 8.0 mA.
50.000 000 to 99.999 999 MHz	: 17.0 mA.
100.000 000 to 160.000 000 MHz	: 18.0 mA.
Output Characteristics	
Waveform	: Squarewave.
Output	: CMOS.
Load (Maximum)	: 15 pF.
Mark Space Ratio (@ 1/2 V _{CC})	: 45:55.
Rise / Fall Times (Maximum)	
Rise Time (10 % to 90 % V _{CC})	: 4.0 nS.
Fall Time (90 % to 10 % V _{CC})	: 4.0 nS.
Start up Time (Maximum)	: 5.0 mS. (± 2.0 mS Typical).
Logic Levels	
High (Minimum)	: 0.9 V _{CC} .
Low (Maximum)	: 0.1 V _{CC} .
Pin 1 (Tri-State) (option)	
High or Open	: Enable.
Low	: Disable.
Enable / Disable Time (Maximum)	: 100.0 ns.
Jitter (cycle to cycle) (Maximum)	: ± 300.0 ps (± 250.0 ps Typical).
Package Style	: 5.00 x 3.20 x 1.20 mm.
Marking	
Line 1	: PDI
Line 2	: Spec. code

Notes
 Terminals to be Au.
 All product supplied in anti-static packaging.
 All product is supplied RoHS compliant.
 Product can be supplied on Tape and Reel.



Revision 001 Created on 18/08/2008 by MS

PRECISION DEVICES

USA
 TEL: +1 608 831 4445
 E-MAIL: info@pdixtal.com
 ISO 9001, Reg. No. FM 75597

UK
 TEL: +44 (0)1223 834 444
 E-MAIL: sales@pdixtal.co.uk
 ISO 9001, Reg. No. FM 01995

- Pin Connections
- 1 Tri-State or Not Connected
 - 2 Ground
 - 3 Output
 - 4 Supply Voltage

All Dimensions and Tolerances are in mm

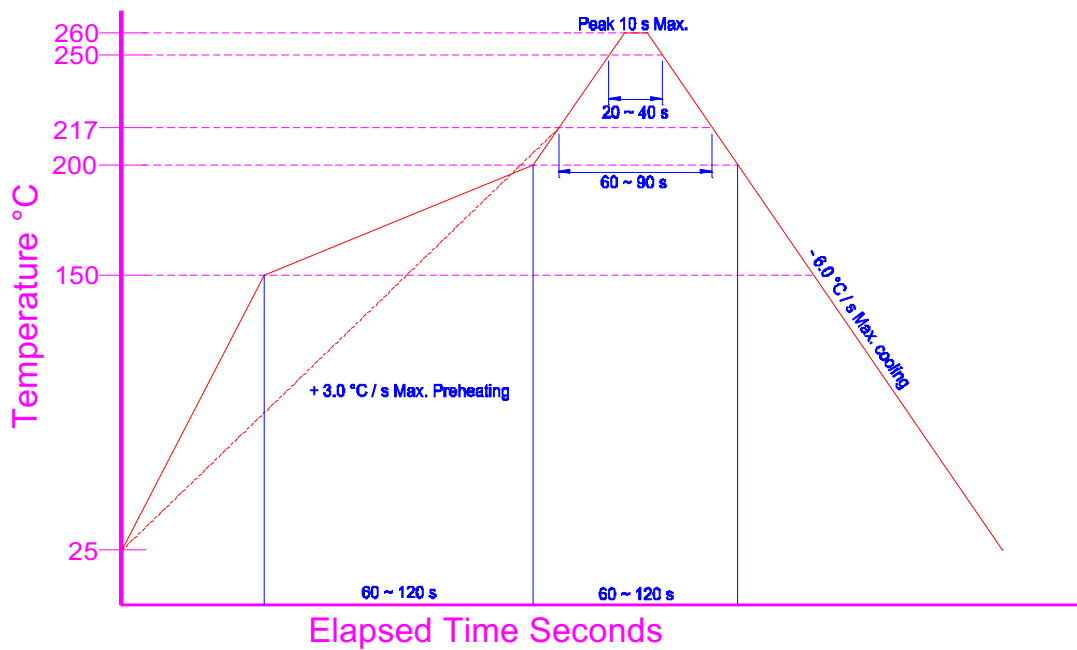


GENERAL OSCILLATOR SPECIFICATION - SSOC5

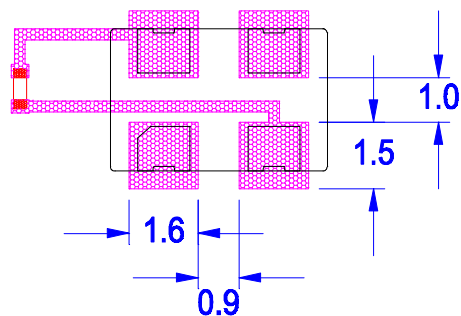


Spread (± 2.0 % of total % Maximum)	:	Total %	Down Spread	Centre Spread
	:	1.0 %	- 1.0 %	± 0.5 %
	:	3.0 %	- 3.0 %	± 1.5 %
EMI Reduction (Applied to entire spectrum)	:			
100.0 MHz @ C ± 0.50 % (Minimum)	:	- 9.0 dBc wrt dB level at no modulation.		
100.0 MHz @ C ± 1.50 % (Minimum)	:	-15.0 dBc wrt dB level at no modulation.		
Modulation Carrier Frequency (Dither rate)	:	6.9 kHz Minimum, 55.5 kHz Maximum. (Frequency dependent)		

Reflow Solder Profile



Recommended Solder Pattern



It is recommended that a 10 nF bypass capacitor should be placed between the Supply and Ground Pins to minimise power supply line noise.

**PRECISION
DEVICES
(UK) LIMITED**

TEL: +44 (0)1223 834 444
 FAX: +44 (0)1223 834 589
 E-MAIL: sales@pdixtal.co.uk

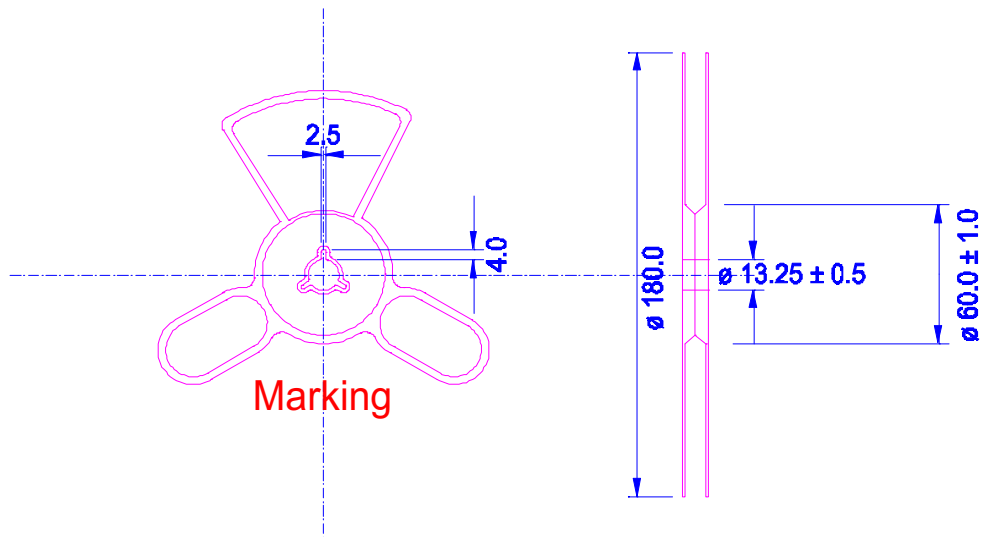
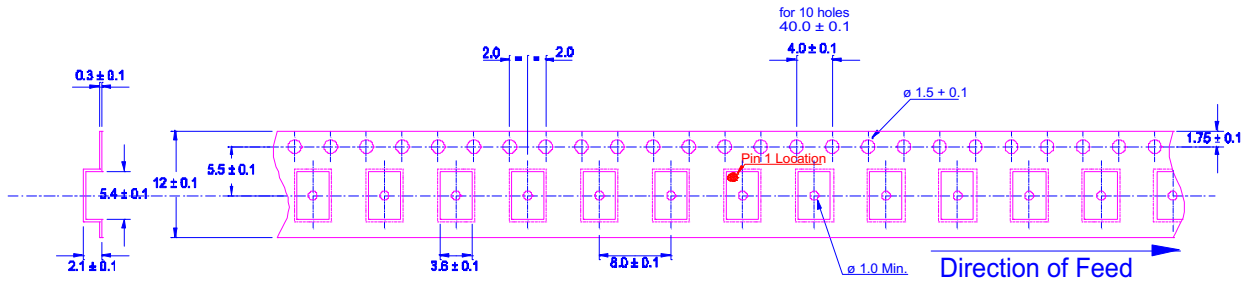
ISO
 ISO9001
 Reg. No. FM1995



GENERAL OSCILLATOR SPECIFICATION - SSOC5



Tape & Reel Dimensions



Empty Pockets

- Trailing end : 200 mm Minimum.
- Leading end : 400 mm Minimum.

**PRECISION
DEVICES
(UK) LIMITED**

TEL: +44 (0)1223 834 444
 FAX: +44 (0)1223 834 589
 E-MAIL: sales@pdixtal.co.uk

ISO
 ISO9001
 Reg. No. FM1995