



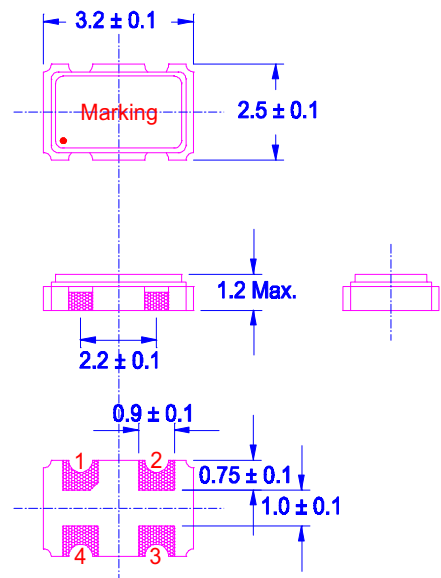
# GENERAL OSCILLATOR SPECIFICATION - OC3



<b>Frequency Range</b>	:	1.544 000 to 80.000 000 MHz.		1.544 000 to 80.000 000 MHz.		1.544 000 to 70.000 000 MHz.
<b>Frequency Stability</b>	:					
All Causes ( Maximum )	:	± 25.0 ppm, ± 50.0 ppm, ± 100.0 ppm.				
Ageing ( Maximum for first year @ 25 ± 3 °C )	:	± 5.0 ppm.				
<b>Temperature Range</b>	:					
Operating	:	0 to + 70 °C ( - 30 to + 85 °C option ).				
Storage	:	- 55 to + 125 °C.				
<b>Supply Voltage</b> ( ± 10.0 % )	:	+ 3.3 V.		+ 2.8 V.		+ 1.8 V.
<b>Supply Current</b> ( Maximum )	:					
1.544 000 to 9.999 999 MHz	:	8.0 mA.		7.0 mA.		6.0 mA.
10.000 000 to 34.999 999 MHz	:	10.0 mA.		8.0 mA.		7.0 mA.
35.000 000 to 49.999 999 MHz	:	25.0 mA.		20.0 mA.		15.0 mA.
50.000 000 to 80.000 000 MHz	:	35.0 mA.		30.0 mA.		25.0 mA.
<b>Output Characteristics</b>	:					
Waveform	:	Squarewave.				
Output	:	HCMOS.				
Load ( Maximum )	:	15 pF.				
Mark Space Ratio ( @ 1/2 V <sub>CC</sub> )	:	40:60 ( 45:55 option ).				
Rise / Fall Times ( Maximum )	:					
Rise Time ( 10 % to 90 % V <sub>CC</sub> )	:	7.0 nS.		6.0 nS.		5.0 nS.
Fall Time ( 90 % to 10 % V <sub>CC</sub> )	:	7.0 nS.		6.0 nS.		5.0 nS.
Start up Time ( Maximum )	:	10.0 mS.				
Logic Levels	:					
High ( Minimum )	:	0.9 V <sub>CC</sub> .				
Low ( Maximum )	:	0.1 V <sub>CC</sub> .				
Pin 1 ( Tri-State ) ( option )	:					
High or Open	:	Enable.				
Low	:	Disable.				
<b>Package Style</b>	:	3.20 x 2.50 x 1.20 mm.				
<b>Marking</b>	:					
Line 1	:	PDI				
Line 2	:	Spec. code				

**Notes**

- Terminals to be Au.
- All product supplied in anti-static packaging.
- All product is supplied RoHS compliant.
- Product can be supplied on Tape and Reel, on reels of 1,000 units.



Revision 001 Created on 13/02/2008 by MS

## PRECISION DEVICES

USA

TEL: +1 608 831 4445

E-MAIL: info@pdixtal.com

ISO 9001, Reg. No. FM 75597

UK

TEL: +44 (0)1223 834 444

E-MAIL: sales@pdixtal.co.uk

ISO 9001, Reg. No. FM 01995

**Pin Connections**

- 1 Tri-State
- 2 Ground
- 3 Output
- 4 Supply Voltage

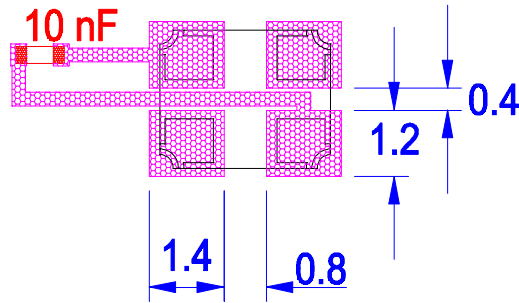
All Dimensions and Tolerances are in mm



# GENERAL OSCILLATOR SPECIFICATION - OC3

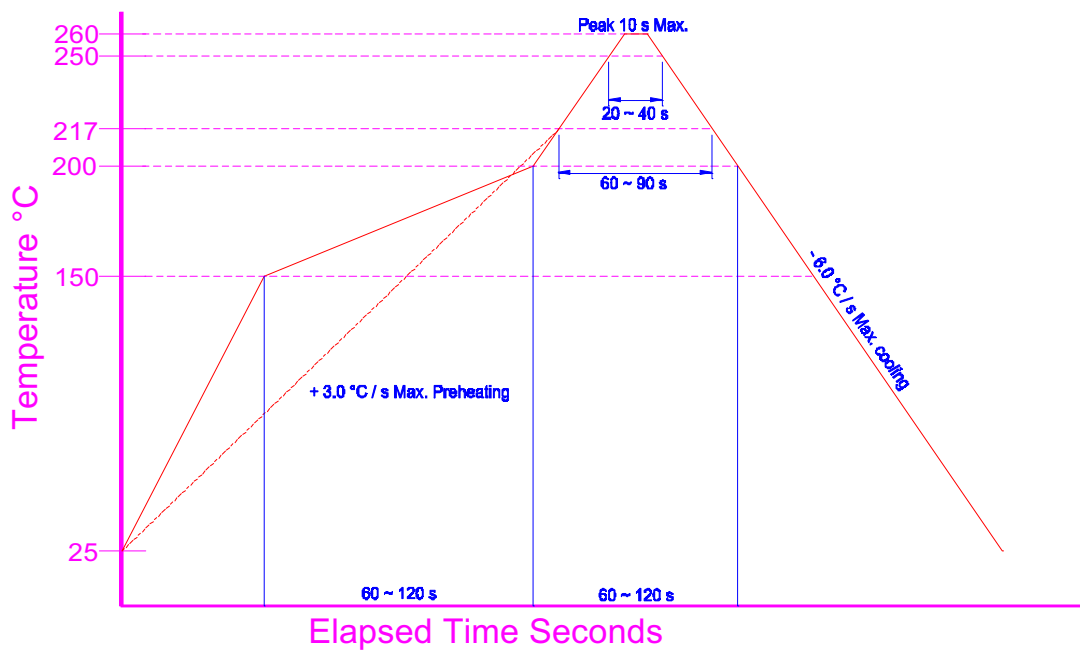


## Recommended Solder Pattern



It is recommended that a 10 nF bypass capacitor should be placed between the Supply and Ground Pins to minimise power supply line noise.

## Reflow Solder Profile



## PRECISION DEVICES

USA

TEL: +1 608 831 4445

E-MAIL: [info@pdixtal.com](mailto:info@pdixtal.com)

ISO 9001, Reg. No. FM 75597

UK

TEL: +44 (0)1223 834 444

E-MAIL: [sales@pdixtal.co.uk](mailto:sales@pdixtal.co.uk)

ISO 9001, Reg. No. FM 01995

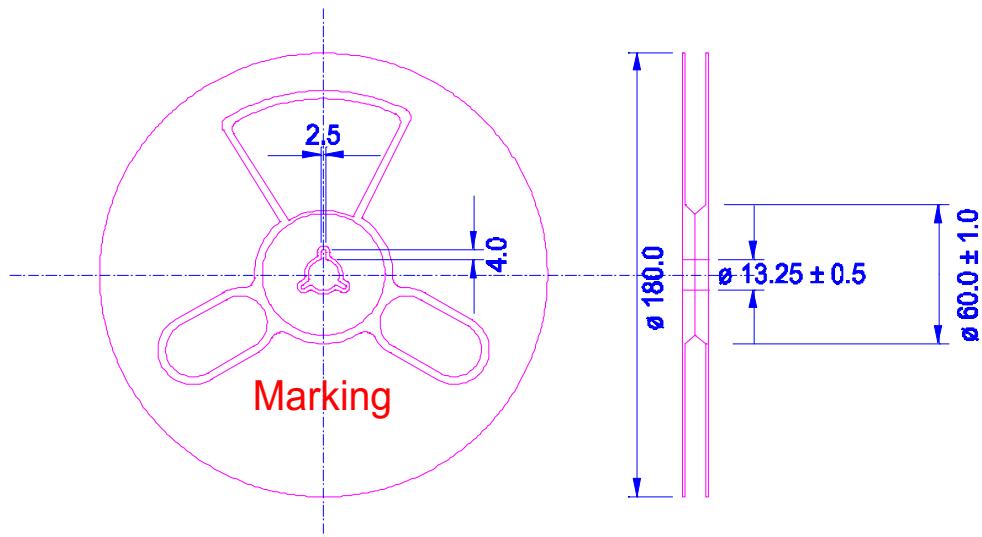
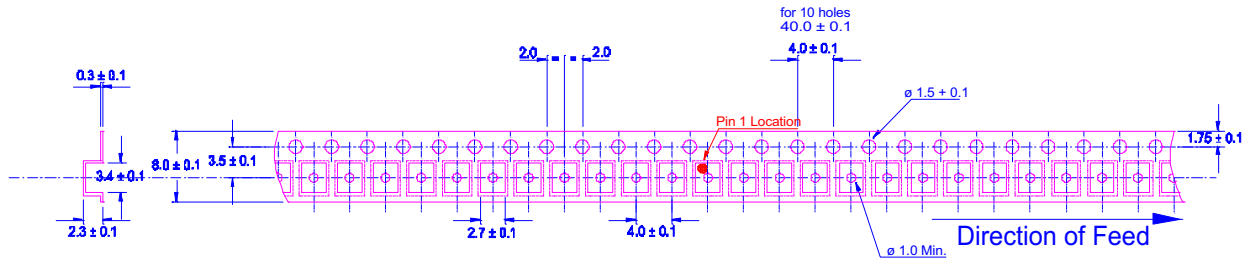


# GENERAL OSCILLATOR SPECIFICATION - OC3



Page 3 of 3

## Tape & Reel Dimensions



**Empty Pockets**

- Trailing end : 200 mm Minimum.
- Leading end : 400 mm Minimum.

## PRECISION DEVICES

USA  
 TEL: +1 608 831 4445  
 E-MAIL: info@pdixtal.com  
 ISO 9001, Reg. No. FM 75597

UK  
 TEL: +44 (0)1223 834 444  
 E-MAIL: sales@pdixtal.co.uk  
 ISO 9001, Reg. No. FM 01995