



GENERAL CRYSTAL SPECIFICATION : C5

Frequency Range	:	10.000 000 to 70.000 000 MHz.	50.000 000 to 180.000 000 MHz.	170.000 000 to 270.000 000 MHz.
Operating Mode	:	Fundamental, AT-Cut.	3 rd Overtone, AT-Cut.	5 th Overtone, AT-Cut.
Frequency Tolerances				
Calibration at + 25.0 °C (Maximum)	:	± 10.0 ppm, ± 30.0 ppm, ± 50.0 ppm.		
Over Temperature Range (Maximum)	:	± 10.0 ppm, ± 30.0 ppm, ± 50.0 ppm.		
Aging (Maximum per year at + 25.0 °C)	:	± 5.0 ppm (± 3.0 ppm option).		
Temperature Range				
Operating	:	- 10 to + 60 °C (- 40 to + 85 °C, - 40 to + 125 °C options).		
Storage	:	- 40 to + 85 °C (- 55 to + 125 °C option).		
Motional Parameters				
Load Capacitance (CL)	:	8.0 pF to Series.		
ESR (Maximum)				
10.000 000 to 11.999 999 MHz	:	120 Ω		
12.000 000 to 19.999 999 MHz	:	80 Ω		
20.000 000 to 29.999 999 MHz	:	70 Ω		
30.000 000 to 47.999 999 MHz	:	50 Ω		
48.000 000 to 70.000 000 MHz	:	40 Ω		
50.000 000 to 180.000 000 MHz	:		100 Ω	
170.000 000 to 270.000 000 MHz	:			160 Ω
Shunt Capacitance (C0) (Maximum)	:	7.0 pF.		
Drive Level (Maximum)	:	300.0 μW (100.0 μW Typical, 10.0 μW Minimum).		
Insulation Resistance	:	500 MΩ Minimum at 100 V _{DC} .		
Package Style	:	5.00 x 3.20 x 0.80 mm.		
Marking				
Line 1	:	PDI		
Line 2	:	Spec. code		

Notes

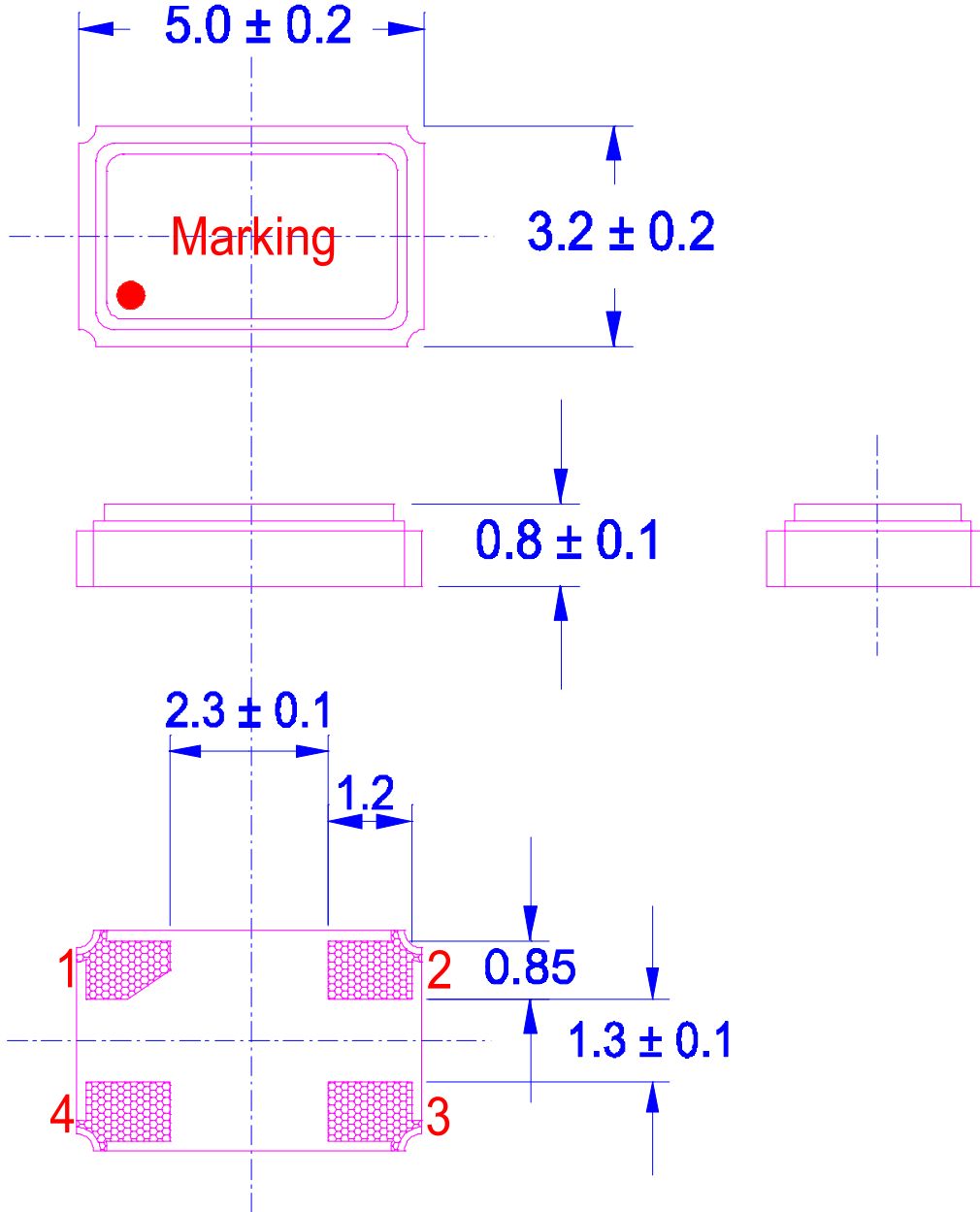
- Terminals are Au.
- All product is supplied RoHS compliant.
- Product can be supplied on Tape and Reel, on reels of 1,000 units.
- Not all Frequency / Temperature combinations are available.
- Specifications subject to change without notice.



GENERAL CRYSTAL SPECIFICATION : C5



Package Drawing



Pin Connections

- 1 Xtal
- 2 Ground / Case
- 3 Xtal
- 4 Ground / Case

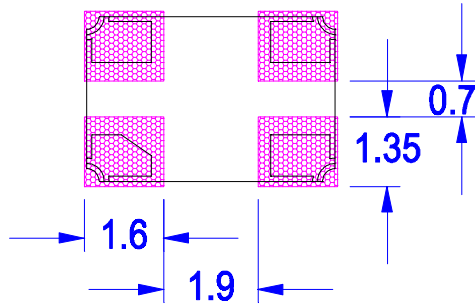
All Dimensions and Tolerances are in mm



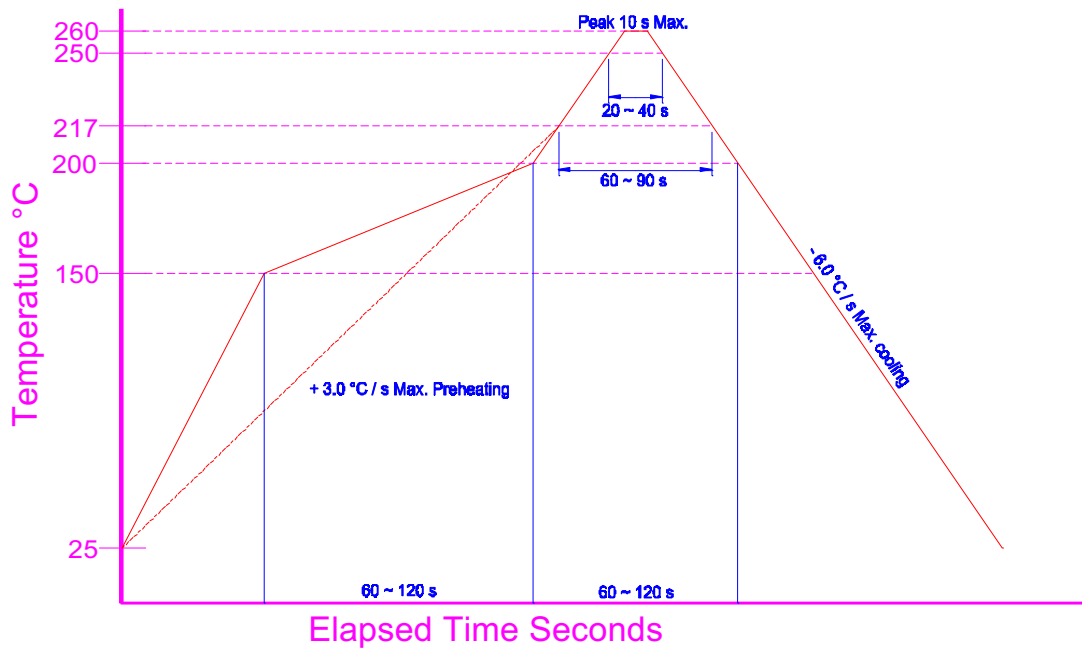
GENERAL CRYSTAL SPECIFICATION : C5



Solder Pattern (Reference purposes only)



Reflow Solder Profile

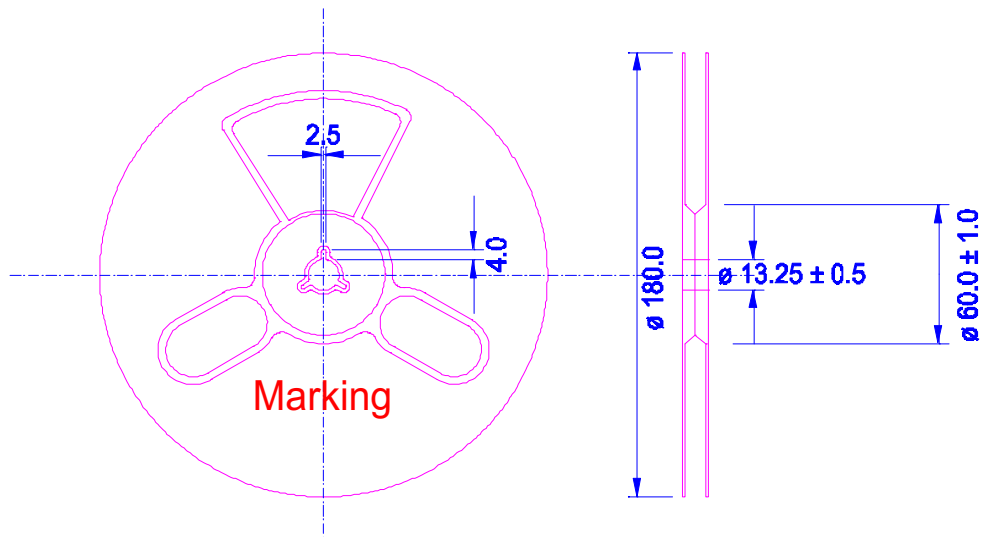
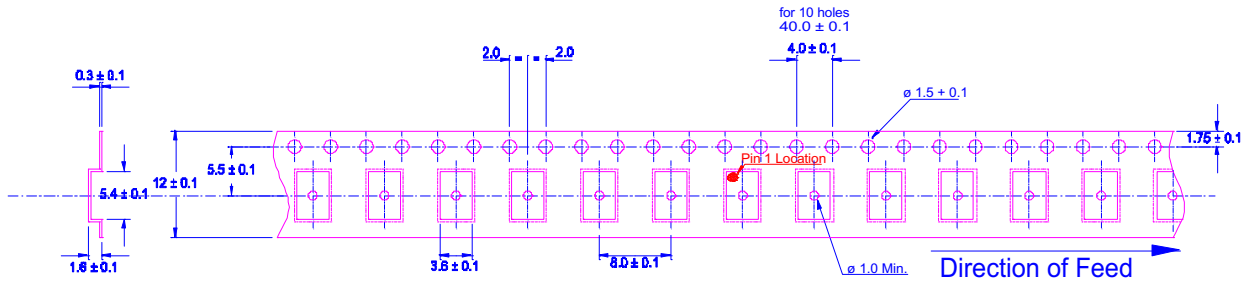




GENERAL CRYSTAL SPECIFICATION : C5



Tape & Reel Dimensions



Empty Pockets

- Trailing end (Minimum) : 200 mm.
- Leading end (Minimum) : 400 mm.